

Main Feature

SF:

1. Flat formed type power relay rating 15A
2. Appropriate for control of resistive load
3. Low power consumption 200mW

SFG :

1. Flat formed type power relay with fasten terminals and PC board terminals.
2. Appropriate for control of resistive load.
3. Low power consumption 200mW

Application

Domestic, Appliance, Office Machine, Air-Conditioner, Controlling Equivalent, etc.

Contact Rating

- Nominal Load (Resistive Load $\cos \varphi = 1$)
Contact Capacity
SF 15A at 125VAC.
10A at 277VAC.
16A at 250VAC.
15A at 24VDC.
1/4HP at 125/250VAC.
SFG 15A at 125VAC.
10A at 250VAC.
10A at 30VDC.
Rated Carrying Current 16A.
Max. Allowable Current 16A.
Max. Allowable Voltage AC 277V.
Max. Allowable Power Force
SF 4,000VA, 480W.
SFG 2,500VA, 300W.
Min. Switching Load DC 10V, 10mA.
- Contact Material Ag Alloy.
- Contact Form SPST.

Performance (at Initial Value)

- Contact Resistance 100m Ω Max. @1A,6VDC
- Operate Time 20 mSec. Max.
- Release Time 10 mSec. Max.
- Dielectric Strength :
Between Coil & Contact 1,500VAC at 50/60 Hz
for one minute.
Between Contacts 1,000VAC at 50/60 Hz
for one minute.

- Surge Resistance 5,000V (between Coil & Contact 1.2x50 μ Sec.)
- Insulation Resistance 1,000 Mega Ω Min. at 500VDC
- Max. On/Off Switching :
Electrical 20 Ops. per Minute.
Mechanical 300 Ops. per Minute.
- Temperature Range -40~55°C
- Humidity Range 45~85% RH.
- Coil Temperature Rise 35°C Max.
- Vibration :
Endurance 10 to 55 Hz dual
amplitude width 1.5mm.
Error Operation 10 to 55 Hz dual
amplitude width 1.5mm.
- Shock :
Endurance 1,000 m/S² Min.
Error Operation 100 m/S² Min.
- Life Expectancy :
Mechanical 10⁷ Operations at No
Load condition.
Electrical 5x10⁴ Operations at
Rated Resistive Load.
- Weight About 8.0 g.

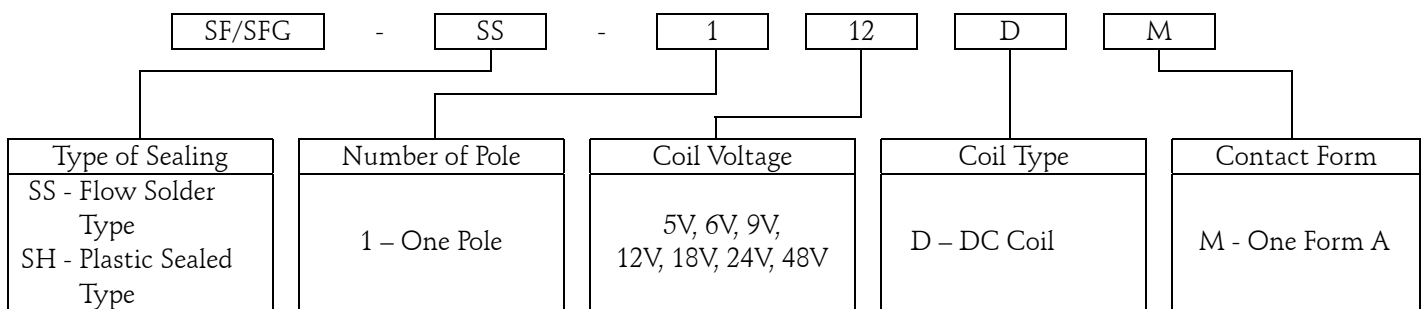
Safety Standard & Its File Number :

- SF : C-UL E141060
- SF : TUV R9956053
- SFG : UL E141060
- SFG : CSA 215942

Coil Specification (at 20°C)

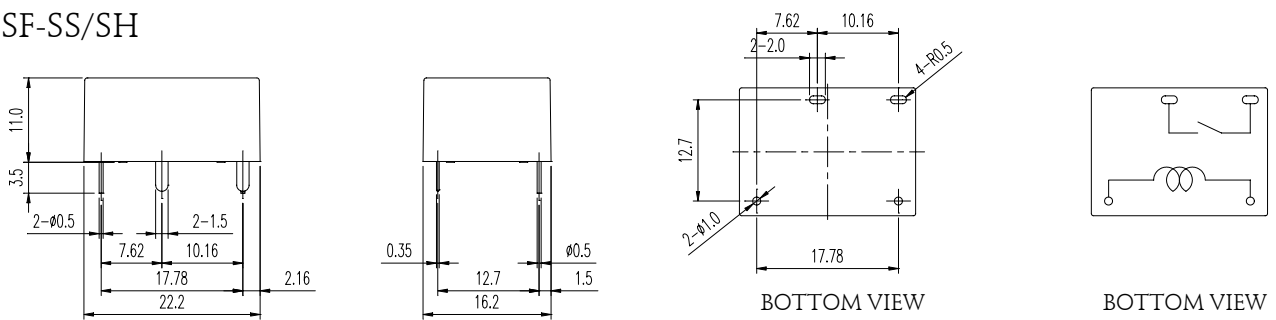
Coil Sensitivity	Nominal Voltage (VDC)	Nominal Current (mA)	Coil Resistance ($\Omega \pm 10\%$)	Power Consumption (W)	Pull-In Voltage (VDC)	Drop-Out Voltage (VDC)	Maximum Allowable Voltage (VDC)
SF/SFG	5	40	125	Abt. 0.20	70% Maximum	5% Minimum	150%
	6	34	180				
	9	23	405				
	12	17	720				
	18	11	1,620				
	24	0.84	2,880				
	48	0.42	11,520	Abt. 0.56			
100	5.6	18,000					

Ordering Information:



Dimension:

SF-SS/SH



SFG-SS

