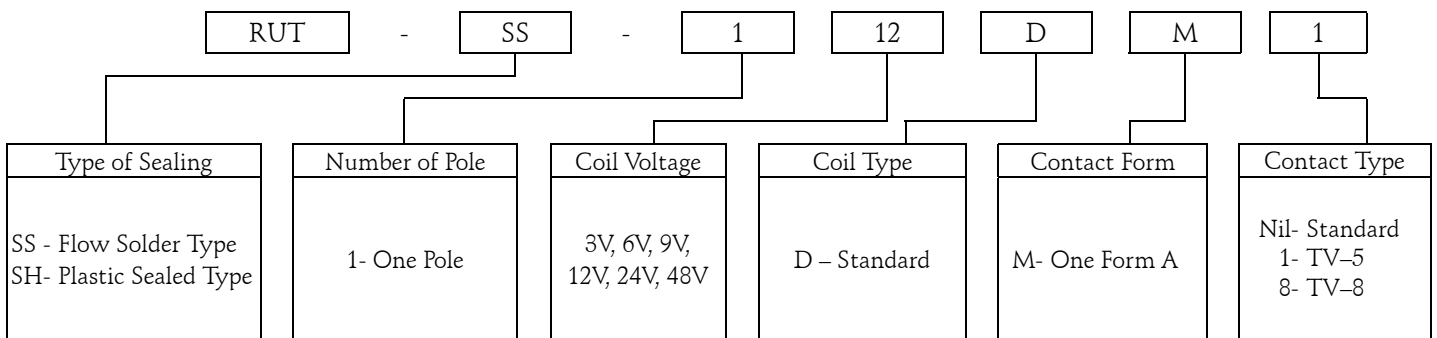


Coil Specification (at 20°C)

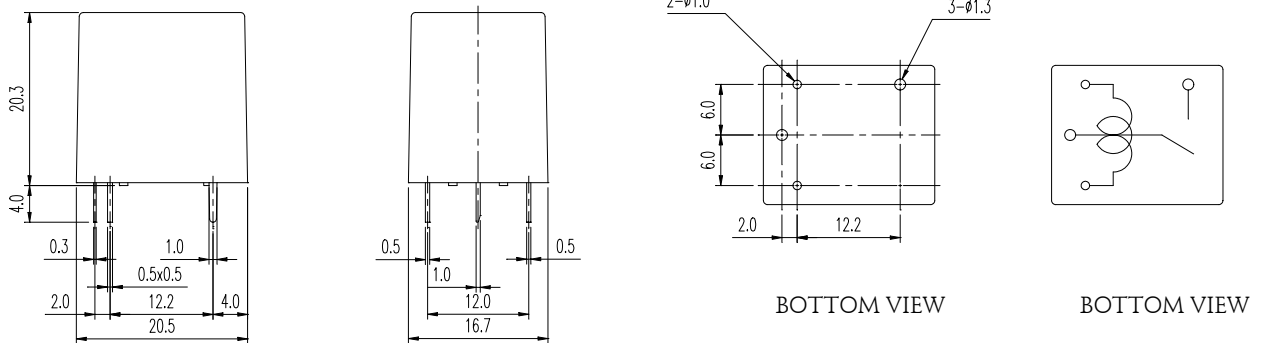
Coil Sensitivity	Nominal Voltage (VDC)	Nominal Current (mA)	Coil Resistance ($\Omega \pm 0\%$)	Power Consumption (W)	Pull-In Voltage (VDC)	Drop-Out Voltage (VDC)	Maximum Allowable Voltage (VDC)
RUT	3	120	25	Abt. 0.36	75% Maximum	5% Minimum	130%
	6	71	70				
	9	40	225				
	12	30	400				
	24	15	1,600				
	48	10	4,500	Abt. 0.66			

Ordering Information:



Dimension:

RUT-SS/SH



Reference Data:

