

Main Feature

1. MI 1 Pole Series Relay covers switching capacity from 10A to 16A to comply with user's wide selection. (MI 1 Pole is 10A & MIH 1 Pole is 16A)
2. Insulation distance of 8 mm Min. is designed. The employment of insulation material is meeting to JIS insulation class E. Dielectric Strength 5,000V Min. and Surge Resistance of 10,000V Min. can be reached.
3. The employment of suitable plastic materials is applied under high temperature condition and various chemical solutions.
4. Complete protective construction is designed from dust and soldering flux. If required, plastic sealed type is available for washing procedure.

Application

Cooking Appliances, Air Conditioner, Audio Equipment, Domestic Appliances, Controlling Equivalent, etc.

Contact Rating

- Nominal Load (Resistive Load $\cos \varphi = 1$)
Contact Capacity:
MI Rating.....10A at 250VAC.
10A at 30VDC.
MIH Rating.....16A at 240VAC.
16A at 24VDC.
Rated Carrying Current.....MI: 10A & MIH: 16A.
Max. Allowable Current.....MI: 10A & MIH: 16A.
Max. Allowable Voltage.....AC 250V, DC 110V.
Max. Allowable Power Force.MI: 2,500 VA, 300W.
MIH: 3,800VA, 450W.
Min. Switching Load.....DC 10V, 10mA.
- Contact MaterialMI: Ag Alloy.
MIH:AgSnO₂.
- Contact Form.....SPST & SPDT.

Performance (at Initial Value)

- Contact Resistance.....100mΩ Max.@1A,6VDC
- Operate Time.....15 mSec. Max. (D Type)
20 mSec. Max. (L Type)
- Release Time.....8 mSec. Max.
- Dielectric Strength :
Between Coil & Contact.....5,000VAC at 50/60 Hz
for one minute.
Between Contacts1,000VAC at 50/60 Hz
for one minute.
- Surge Resistance10,000V (between Coil
& Contact 1.2x50μSec.)
- Insulation Resistance.....100 MegaΩ Min. at
500VDC.
- Max. On/Off Switching :

- Electrical 30 Ops per Minute.
- Mechanical..... 300 Ops per Minute.
- Temperature Range -30~55°C
- Humidity Range..... 45~85% RH.
- Coil Temperature Rise..... 45°C Max. (D Type)
35°C Max. (L Type)
- Vibration :
Endurance 10 to 55 Hz dual
amplitude width 1.5mm.
Error Operation..... 10 to 55 Hz dual
amplitude width 1.5mm.
- Shock :
Endurance 1,000 m/S² Min.
Error Operation..... 100 m/S² Min.
- Life Expectancy :
Mechanical 10⁷ Operations at No
Load condition.
Electrical 10⁵ Operations at Rated
Resistive Load. (MI)
10⁵ Operation at Rated
Resistive Load. (MIH)
- Weight.....About 13 g.

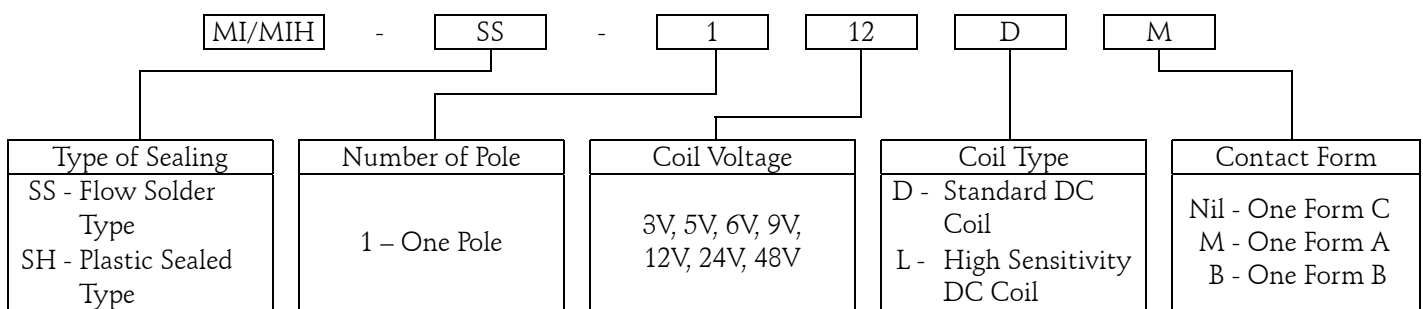
Safety Standard & Its File Number

- UL: (MI & MIH) E141060
- CSA: (MI & MIH)..... LR76598
- TÜV: (MI: R9552084) & (MIH: R9854160)
- VDE (MI)..... 6846 ÜG
- FIMKO (MI – L/LM Type)..... FI 11385
- SEMKO (MI- L/LM Type) 9834069/01

Coil Specification (at 20°C)

Coil Sensitivity	Nominal Voltage (VDC)	Nominal Current (mA)	Coil Resistance ($\Omega \pm 10\%$)	Power Consumption (W)	Pull-In Voltage (VDC)	Drop-Out Voltage (VDC)	Maximum Allowable Voltage (VDC)
MI/MIH D/DM	3	240	12.5	Abt. 0.72	80% Maximum	5% Minimum	130%
	5	138.9	36				
	6	120	50				
	9	78.3	115				
	12	60	200				
	48	14.5	3,300				
MI/MIH L/LM	3	176.5	17	Abt. 0.54	80% Maximum	5% Minimum	130%
	5	106.4	47				
	6	88	68				
	9	58	155				
	12	44.4	270				
	48	10.9	4,400				

Ordering Information:



Dimension:

MI-SS/SH
MIH-SS/SH

