



Main Feature

1. Switching capacity 5A is available with 2 Change-Over contact.
2. Slim type and small occupying area can offer high dense P.C. Board technique.
3. Insulation distance of 8mm Min. is designed. The employment of insulation material is meeting to JIS insulation class E. Dielectric Strength of 5,000V Min. and Surge Resistance 10,000V Min. is realized.
4. 1/8 Horse Power at 120VAC and 1/8 Horse Power at 250VAC are certified by UL & CSA.
5. TV-3 at 120VAC rating is approved by UL.
6. Complete protective construction is designed from dust and soldering flux. If required, plastic sealed type is available for washing procedure.

Application

Cooking Appliances, Air Conditioner, Audio Equipment, Domestic Appliances, Controlling Equivalent, etc.

Contact Rating

- Nominal Load (Resistive Load $\cos \varphi = 1$)
Contact Capacity5A at 250VAC.
5A at 30VDC.
TV-3 at 120VAC.
Rated Carrying Current5A.
Max. Allowable Current5A.
Max. Allowable VoltageAC 240V, DC 110V.
Max. Allowable Power Force 1,250VA, 150W.
Min. Switching LoadDC 10V, 10mA.
- Contact MaterialAg Alloy.
- Contact FormDPST & DPDT.

Performance (at Initial Value)

- Contact Resistance100m Ω Max.@1A,6VDC
- Operate Time15 mSec. Max. (D Type)
20 mSec. Max. (L Type)
- Release Time8 mSec. Max.
- Dielectric Strength :
Between Coil & Contact5,000VAC at 50/60 Hz
for one minute.
Between Contacts1,000VAC at 50/60 Hz
for one minute.
- Surge Resistance10,000V (between Coil
& Contact 1.2x50 μ Sec.)
- Insulation Resistance100 Mega Ω Min. at
500VDC.
- Max. On/Off Switching :
Electrical30 Ops per Minute.
Mechanical300 Ops per Minute.

- Temperature Range -30~55°C
- Humidity Range 45~85% RH.
- Coil Temperature Rise 45°C Max. (D Type)
35°C Max. (L Type)
- Vibration :
Endurance 10 to 55 Hz dual
amplitude width 1.5mm.
Error Operation 10 to 55 Hz dual
amplitude width 1.5mm.
- Shock :
Endurance 1,000 m/S² Min.
Error Operation 100 m/S² Min.
- Life Expectancy :
Mechanical 10⁷ Operations at No
Load condition.
Electrical 10⁵ Operations at Rated
Resistive Load.
2.5x10⁴ Operations at
TV Rated Load.
- Weight About 13 g.

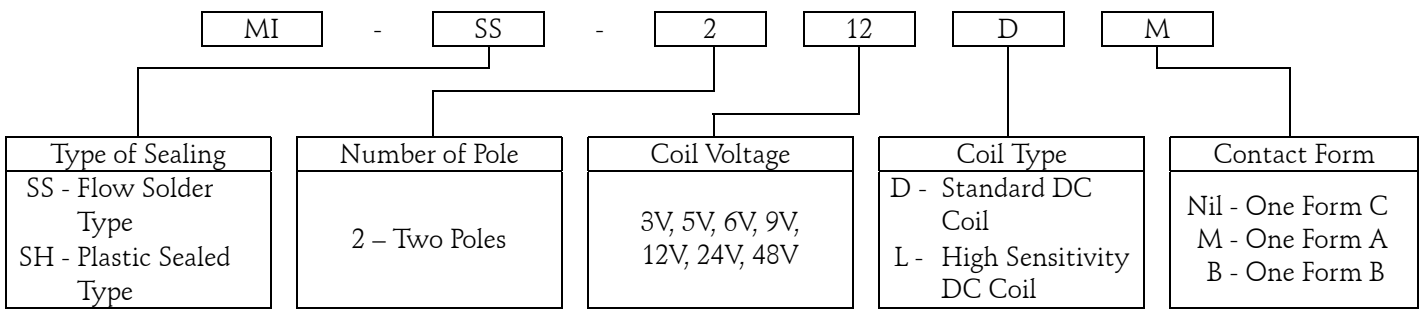
Safety Standard & Its File Number

- UL E141060
- CSA LR76598
- TÜV R9552069
- VDE 6846 ÜG
- FIMKO(L/LM Type) FI 11385
- SEMKO(L/LM Type) 9834069/01

Coil Specification (at 20°C)

Coil Sensitivity	Nominal Voltage (VDC)	Nominal Current (mA)	Coil Resistance ($\Omega \pm 10\%$)	Power Consumption (W)	Pull-In Voltage (VDC)	Drop-Out Voltage (VDC)	Maximum Allowable Voltage (VDC)
MI-2P D/DM Type	3	240	12.5	Abt. 0.72	80% Maximum	5% Minimum	130%
	5	138.9	36				
	6	120	50				
	9	78.3	115				
	12	60	200				
	24	29.3	820				
MI-2P L/LM Type	3	176.5	17	Abt. 0.54	80% Maximum	5% Minimum	130%
	5	106.4	50				
	6	88	68				
	9	58	155				
	12	44.4	270				
	24	21.8	1,100				
	48	10.9	4,400				

Ordering Information:



Dimension:

MI-2P-SS/SH

