



Main Feature

1. Smaller size compared to RW series , but with 5A of contact capacity and TV-5 /120VAC at smaller power consumption.
2. Application for LCD monitor, only SPST available.
3. Dielectric Strength between Coil & Contact 1000VAC.
4. Plastic sealed type are available.

Application :

LCD monitor etc.

Contact Rating :

- Nominal Load(Resistive Load $\cos \varphi = 1$)
Contact CapacityTV-5 120VAC.
5A at 120VAC.
5A at 30VDC.
Max. Allowable Current5A.
Max. Allowable VoltageAC 120V, DC30V.
Max. Allowable Power Force.600VA, 150W.
Min. Switching LoadDC 5V, 10mA.
- Contact MaterialAg Alloy.
- Contact Form.....SPST.

Performance (at Initial Value)

- Contact Resistance100 m Ω Max1A,6VDC
- Operate Time12mSec. Max.
- Release Time6mSec. Max.
- Dielectric Strength :
Between Coil & Contact1,000 at50/60 Hz
for one minute.
Between Contacts500VAC at 50/60 Hz
for one minute.
- Surge Resistance1,500V (between coil
& contact 1.2x50 μ Sec.)
- Insulation Resistance100 Mega Ω Min. at
500VDC
- Max. On/Off Switching :
Electrical30 Ops per Minute.
Mechanical300 Ops per Minute.
- Temperature Range.....-40~55°C
- Humidity Range45~85% RH.

- Coil Temperature Rise 50°C Max.
- Vibration :
Endurance 10 to 55 Hz dual
amplitude width
1.5mm.
Error Operation 10 to 55 Hz dual
amplitude width
1.5mm.
- Shock :
Endurance 1,000 m/S² Min.
Error Operation 100 m/S² Min.
- Life Expectancy :
Mechanical 10⁷ Operations at No
load condition.
Electrical 10⁵ Operations at Rated
Resistive Load.
- Weight about 5.0 g for 1P.

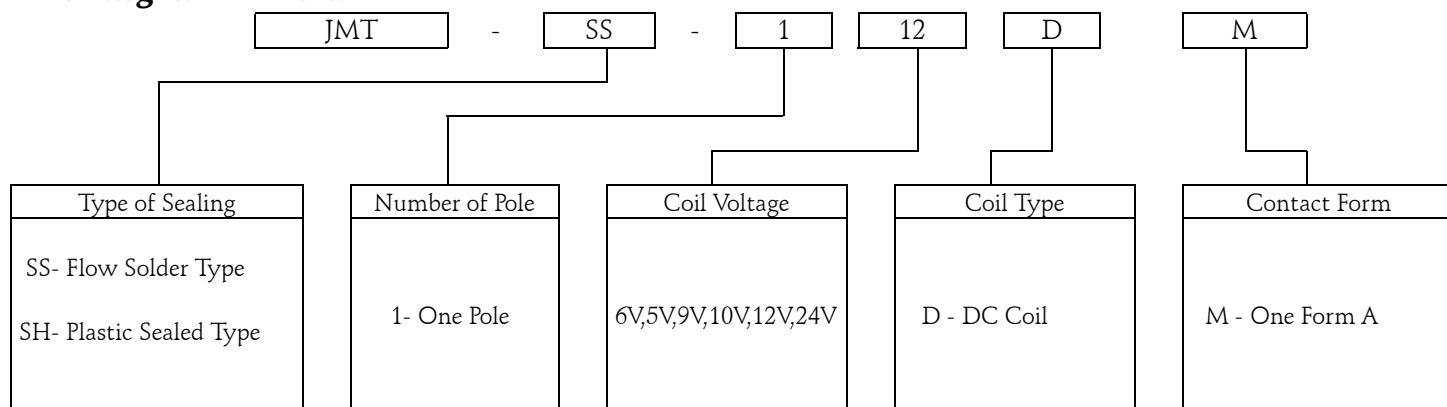
Safety Standard & Its File Number :

- Nil

Coil Specification (at 20 °C):

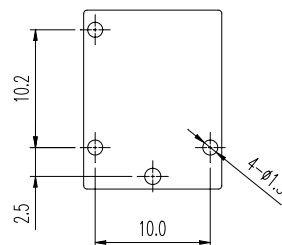
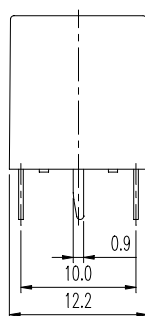
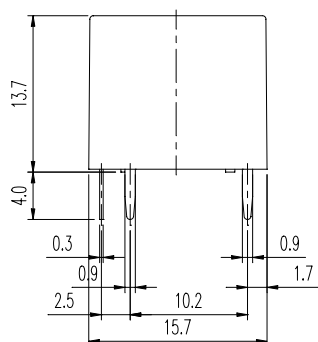
Coil Sensitivity	Nominal Voltage (VDC)	Nominal Current (mA)	Coil Resistance ($\Omega \pm 10\%$)	Power Consumption (W)	Pull-In Voltage (VDC)	Drop-Out Voltage (VDC)	Maximum Allowable Voltage (VDC)
JMT	3	180	16.7	Abt. 0.54	80% Maximum	5% Minimum	120%
	5	108	46.3				
	6	90	66.7				
	9	60	100				
	12	44.4	270				
	24	22.5	1,067				

Ordering Information:

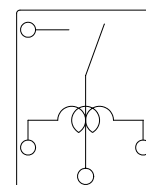


Dimension:

JMT-SS/SH



BOTTOM VIEW



BOTTOM VIEW