



## Main Feature

1. Insulation distance of 6 mm Minimum suitable for domestic appliances and industrial equipment with dielectric strength at 4,000VAC.
2. The employment of high performance Contact Material is suitable for high inrush current.
3. The employment of suitable plastic materials is applied under high temperature and various chemical solutions.
4. TV-8 at 120VAC of GSZ model is certified by UL & CSA.

## Application

Cooling Applications, Air Conditioners, Controlling Equipment, etc.

## Contact Rating

- Nominal Load (Resistive Load  $\cos \varphi = 1$ )  
 Contact Capacity ..... 16A at 120VAC.  
 ..... 16A at 30VDC.  
 ..... TV-8 at 120VAC.  
 Rated Carrying Current ..... 16A.  
 Max. Allowable Current ..... 16A.  
 Max. Allowable Voltage ..... AC 240V, DC 100V.  
 Max. Allowable Power Force. 2,400 VA, 380W.  
 Min. Switching Load ..... DC 10V, 10mA.
- Contact Material ..... Ag Alloy.
- Contact Form ..... SPST.

## Performance (at Initial Value)

- Contact Resistance ..... 100m $\Omega$  Max. @1A, 6VDC
- Operate Time ..... 20 mSec. Max.
- Release Time ..... 10 mSec. Max.
- Dielectric Strength :  
 Between Coil & Contact ..... 4,000VAC at 50/60 Hz  
 for one minute.  
 Between Contacts ..... 1,000VAC at 50/60 Hz  
 for one minute.
- Surge Resistance ..... 7,000V (between Coil  
 & Contact 1.2x50 $\mu$ Sec.)
- Insulation Resistance ..... 100 Mega $\Omega$  Min. at  
 500VDC.
- Max. On/Off Switching :  
 Electrical ..... 30 Ops. per Minute.  
 Mechanical ..... 300 Ops. per Minute.

- Temperature Range ..... -25~55°C
- Humidity Range ..... 45~85% RH.
- Coil Temperature Rise ..... 55°C Max.
- Vibration :  
 Endurance ..... 10 to 55 Hz dual  
 amplitude width 1.5mm.  
 Error Operation ..... 10 to 55 Hz dual  
 amplitude width 1.5mm.
- Shock :  
 Endurance ..... 1,000 m/S<sup>2</sup> Min.  
 Error Operation ..... 100 m/S<sup>2</sup> Min.
- Life Expectancy :  
 Mechanical ..... 10<sup>7</sup> Operations at No  
 Load condition.  
 Electrical ..... 10<sup>5</sup> Operations at Rated  
 Resistive Load.  
 2.5x10<sup>4</sup> Operations at  
 TV Rated Load.
- Weight ..... About 13.8 g.

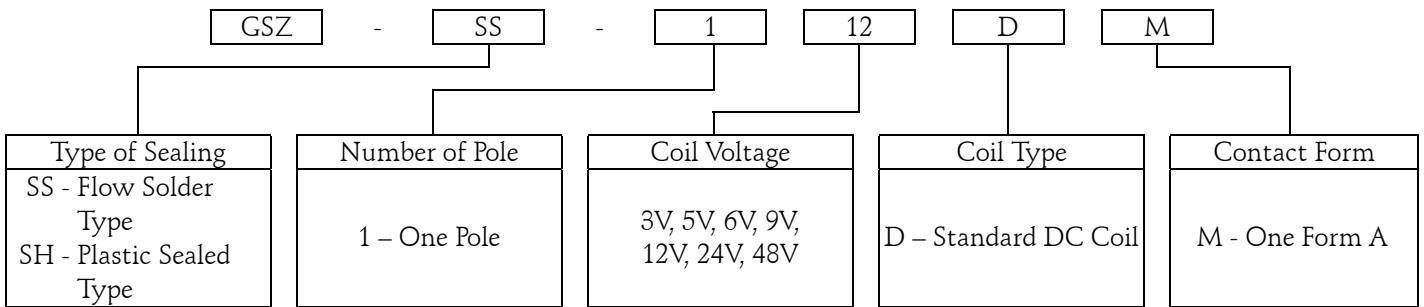
## Safety Standard & Its File Number

- UL ..... E141060
- CSA ..... LR76598

## Coil Specification (at 20°C)

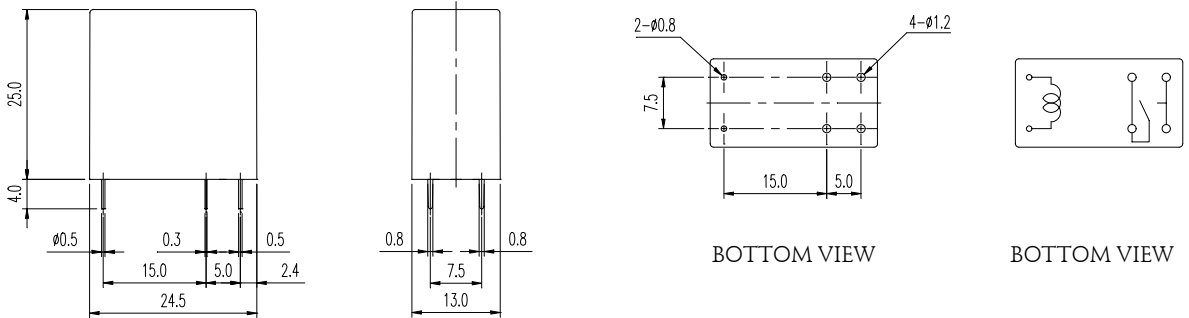
Coil Sensitivity	Nominal Voltage (VDC)	Nominal Current (mA)	Coil Resistance ( $\Omega \pm 10\%$ )	Power Consumption (W)	Pull-In Voltage (VDC)	Drop-Out Voltage (VDC)	Maximum Allowable Voltage (VDC)
GSZ	3	176.5	17	Abt. 0.54	80% Maximum	5% Minimum	120%
	5	106.4	47				
	6	88	68				
	9	58	155				
	12	44.4	270				
	24	21.8	1100				
	48	11	4400				

## Ordering Information:



## Dimension:

GSZ-SS/SH



## Reference Data:

